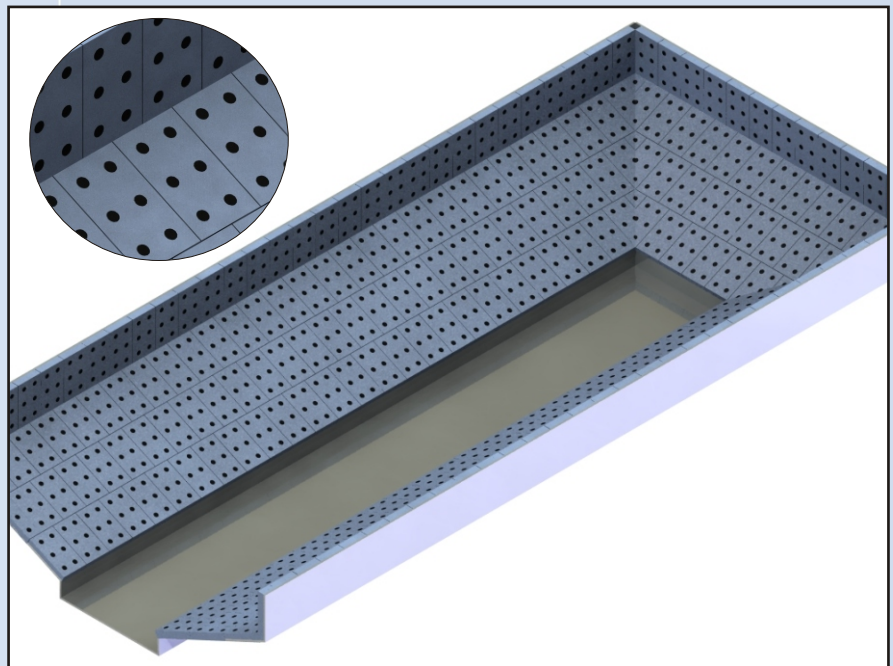


Kaveri Rubber Liners are best suited for direct, heavy impact and wear locations of lumpy materials. After long & extensive study of wear components coupled with field experience, Kaveri developed Rubber Liner as a better substitute than the conventional metallic liner.

### APPLICATION

Bunkers  
Bins  
Chutes  
Feeder  
Lauder  
Track Hopper  
Wagon Tippler Hopper  
Wagon Tippler Pad  
Dock Fender  
Truck / Dumper Box

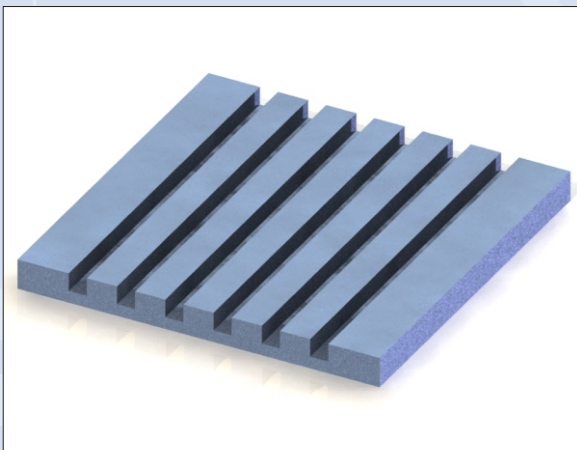
### HOPPER LINING



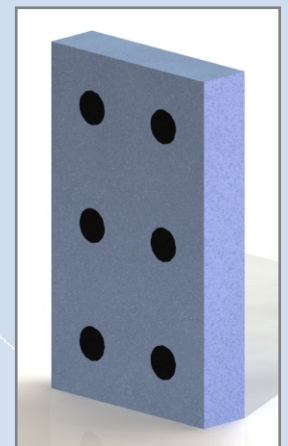
### ENGINEERING

Basic factors considered for optimum design

- Angle of Impact
- Material
- Material size
- Bulk density
- Capacity
- Height of fall



SERRATED LINER



PLAIN LINER

## TYPES OF LINERS

### S-Type: SOLID LINER

With or without holes

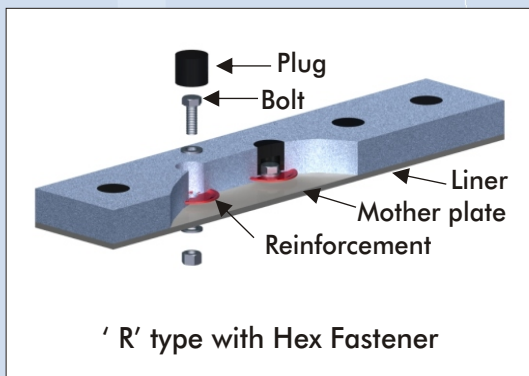
### R-Type : INSERT REINFORCED LINER

With holes

### MB-Type : METAL BACKING LINER

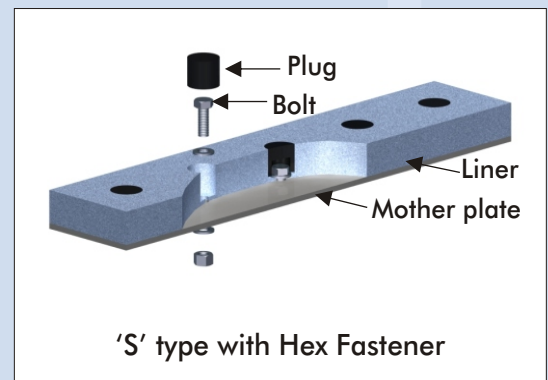
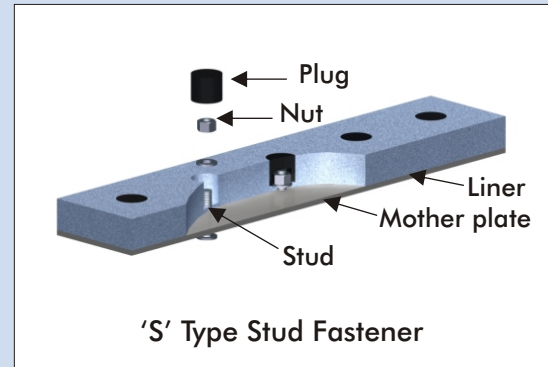
### SR-Type : SERRATED LINER

with special Profile finish



## INSTALLATION

KAVERI adopted very simple fixing arrangement facilitating quick installation and easy replacement



## SALIENT FEATURES & ADVANTAGES

- High wear and abrasion resistant.
- Resilient - reduces noise pollution.
- Long life.
- Easy to install and replace.
- Avoids consequential damages vis-à-vis worn out steel liner.
- Special Grades, Thickness and Sizes available

## KAVERI ULTRA POLYMERS P LIMITED

'MultiTech Centre' (Opp John Fowler)  
Bommasandra Indl Area. Hosur Road

**BANGALORE**- 560 099. INDIA  
Ph: + (91 80) 4166 3444 / 2783 2337.

Fax: + (91 80) 4166 3555

E-mail: blr@kaveri.in

'Kaveri House'  
132/1, M G Road

**KOLKATA** - 700 007. INDIA  
Ph : + (91 33) 3292 0103 / 2269 5791

Fax: + (91 33) 2269 0473

E-mail: cal@kaveri.in

115, Creative Estate,  
N M Joshi Marg

**MUMBAI** - 400 011. INDIA  
Ph : + (91 22) 3291 1397, 2305 4878

Fax: + (91 22) 2307 2861

E-mail: bom@kaveri.in

RB-02-C08